



**WUHLF  
EQUIPMENT  
PTY (LTD)**



# JC100 WUHLF SKID STEER

## *Dimensions (mm):*

Overall Length 3580mm  
Overall Width 1880mm  
Overall Height 2160mm



## *Key Features*

Bucket Size 0.55 m<sup>3</sup>

Engine Type: WP4.1 • Rated Power: 75kW

Operating Weight: 3550kg • Tyre Size: 12-16.5

*Quality without compromise*

### Head Office

Wallmannsthal Offramp

N1 North, Pretoria

Office: +27 (0) 12 548 0263

Office: +27 (0) 12 004 2000

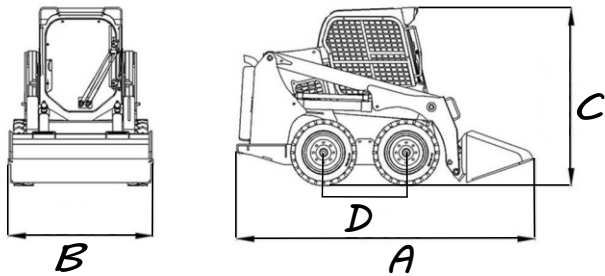
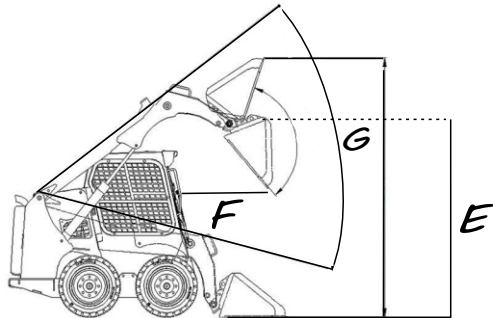
Email: [sales@wuhlf.co.za](mailto:sales@wuhlf.co.za)

Website: [www.wuhlf.co.za](http://www.wuhlf.co.za)

# JC100 Wuhlf

## Skid Steer Loader

### Technical Data:



<b>A</b>	Overall Length	3580mm
<b>B</b>	Overall Width	1880mm
<b>C</b>	Overall Height	2160mm
<b>D</b>	Wheel Base	1115mm
<b>E</b>	Max Dumping Height	2400mm
<b>F</b>	Max Reach	700 mm
<b>G</b>	Height at Max Extension	4070mm

<b>Specifications</b>	Operating Weight	3550kg
	Bucket Capacity	0.55m <sup>3</sup>
	Dumping Angle	40°
	Rated Load Capacity	1200kg

<b>Traveling Speed</b>	Max Travel Speed	12km/h
------------------------	------------------	--------

<b>Engine</b>	Type	4cyl Diesel
	Rated Power	75kw
	Model	Weichai WP4.1

<b>Tyres</b>	Standard Size	12-16.5
--------------	---------------	---------

<b>Tank Capacities</b>	Fuel Tank	90 ℓ
	Hydraulic Oil Tank	90 ℓ

<b>Working Hydraulics</b>	Danfoss Manual Servo Hydraulic Pump
	Danfoss Hydraulic Pump
	Hydraulic Pump Flow (120L/min)

<b>Brake System</b>	Hydraulic Brake System
---------------------	------------------------

